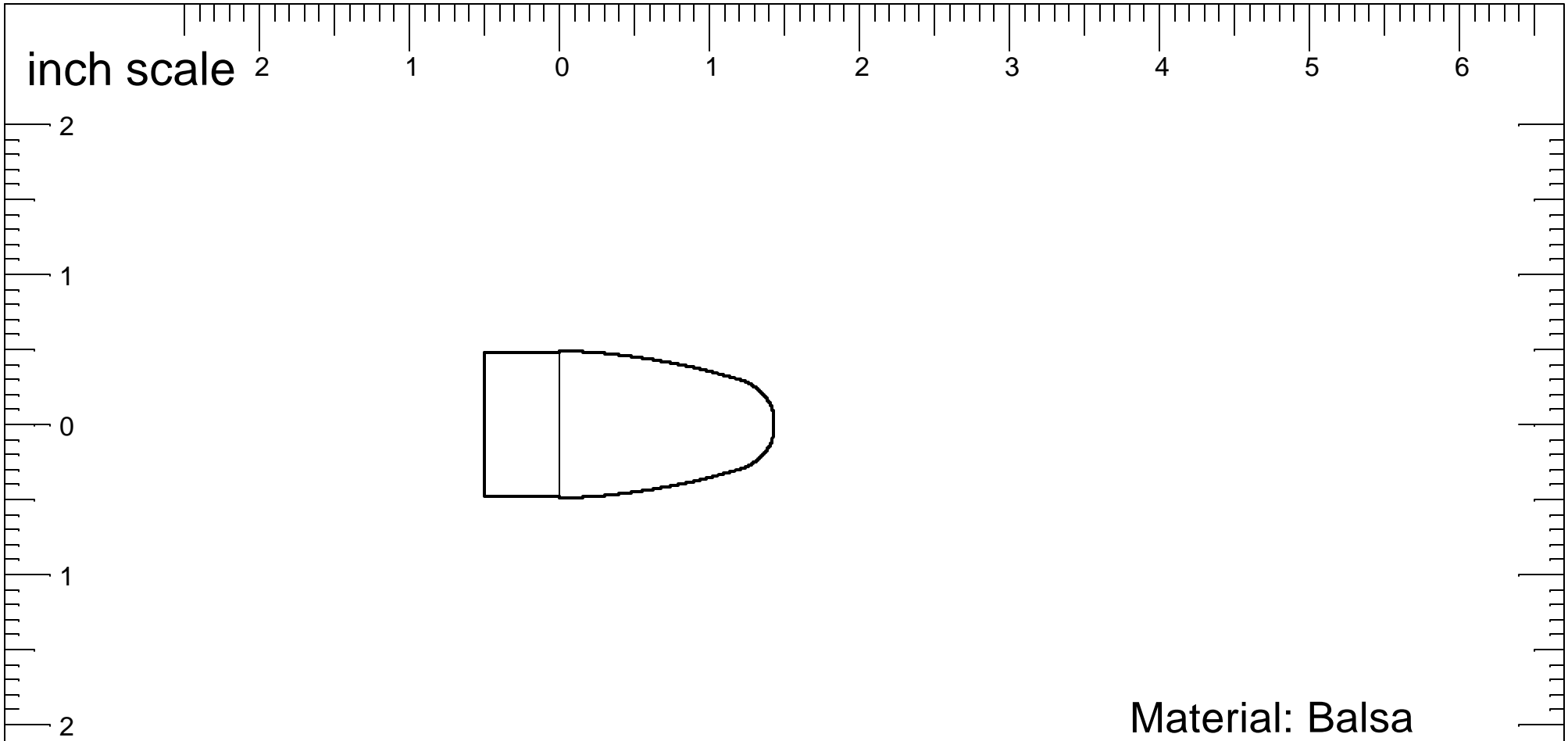


inch scale



Material: Balsa

Fits T50 tube with
ID= .95 OD= .976
Overall length: 1.9
Exposed length: 1.4
Shoulder length: .5

Part is drilled for, and supplied with, a 1/4 inch
hardwood dowel drilled to accept a screw eye.

all dimensions are in inches unless otherwise specified.

Balsa Machining Service

This print is the property of Balsa Machining Service. It may be copied and distributed if done in it's entirety. Although BMS considers this drawing proprietary it makes no claim whatsoever regarding the cone shape itself.

Size A	Part Number BNC50J	REV A
Date 4/12/07	Tool: 50J	Sheet 1 of 1